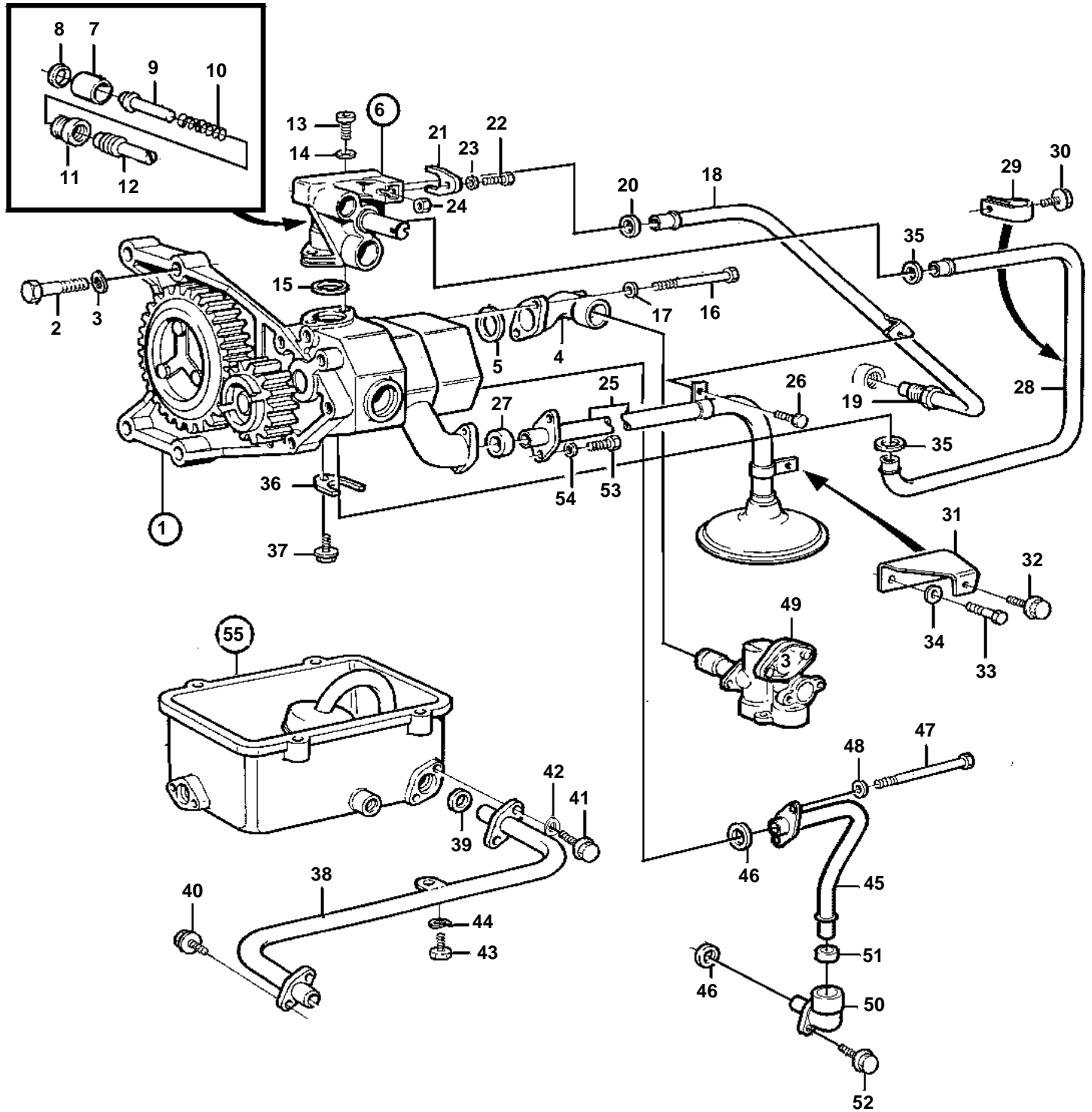


DH10A, THD102KB, THD102KD



16995

DH10A, THD102KB, THD102KD

REF	PART NO.	QTY	DESCRIPTION	SEE SEC.	NOTES
1	425242	1	Oil pump		FOR DH10A
				3490	
	425175	1	Oil pump		FOR THD102KB
				3490	
	425169	1	Oil pump		FOR THD102KD
				3490	
2	955538	4	Screw		
3	942336	4	Spring washer		
4	424650	1	Riser		FOR DH10A, THD102KD
	469874	1	Oil return pipe		FOR THD102KB
5	469482	1	O-ring		
6	424920	1	Reducing valve		FOR DH10A, THD102KD
	469867	1	Reducing valve		FOR THD102KB
7	469468	1	· Valve seat		
8	469846	1	· Sealing ring		
9	471085	1	· Valve		
10	468727	1	· Spring		FOR 424920
	469332	1	· Spring		FOR 469867
11	469865	1	· Thread insert		
12	469866	1	· Plug		
13	956571	3	Screw		
14	941907	3	Spring washer		
15	469482	1	O-ring		
16	941679	2	Screw		
17	955894	2	Washer		
18	469687	1	Delivery pipe		
19	466907	1	Fitting		
20	469676	1	Sealing ring		
21	469677	1	Flange		
22	955524	1	Screw		
23	941907	1	Spring washer		
24	955826	1	Nut		
25	424667	1	Suction pipe		
26	945970	2	Screw		
27	469601	1	Sealing ring		
28	469993	1	Pipe		
29	943121	1	Clamp		
30	942624	1	Screw		
31	424816	1	Bracket		
32	946440	1	Flange screw		
33	940161	2	Screw		
34	976944	2	Washer		
35	469872	2	Sealing ring		
36	469677	1	Flange		
37	942402	1	Flange screw		
38	425291	1	Pipe		
39	949721	2	O-ring		
40	946173	2	Flange screw		
41	955524	2	Screw		
42	941907	2	Spring washer		
43	940133	1	Screw		
44	942336	1	Spring washer		
45	425409	1	Suction pipe		FOR DH10A, THD102KD
	425410	1	Suction pipe		FOR THD102KB
46	949721	2	O-ring		
47	941679	2	Screw		FOR DH10A, THD102KD
		2	Screw		FOR THD102KB
48	955894	2	Washer		
49		1	Reducing valve		
				3486	
50	425411	1	Pipe connection		
51	471626	1	Sealing ring		
52	948217	2	Flange screw		

DH10A, THD102KB, THD102KD

REF	PART NO.	QTY	DESCRIPTION	SEE SEC.	NOTES
53	940135	2	Screw		
54	941907	2	Spring washer		
55		1	Housing	3479	